



**2/4-Port DVI Dual Link Splitter with Audio  
VS172 / VS174**

**User Manual**



## FCC Information

Warning: This is a class A product. In a domestic environment this product may cause radio interference in which case the user may be required to take adequate measures.

### FEDERAL COMMUNICATIONS COMMISSION INTERFERENCE STATEMENT

This equipment has been tested and found to comply with the limits for a Class A digital device, pursuant to Part 15 of the FCC Rules. These limits are designed to provide reasonable protection against harmful interference when the equipment is operated in a commercial environment. This equipment generates, uses, and can radiate radio frequency energy and, if not installed and used in accordance with the instruction manual, may cause harmful interference to radio communications. Operation of this equipment in a residential area is likely to cause harmful interference in which case the user will be required to correct the interference at his own expense.

**FCC Caution:** Any changes or modifications not expressly approved by the party responsible for compliance could void the user's authority to operate this equipment.

**KC Information:** 이 기기는 업무용 (A 급) 전자파 적합기기로서 판매자 또는 사용자는 이점을 주의하시기 바라며, 가정외의 지역에서 사용하는 것을 목적으로 합니다.

## RoHS

This product is RoHS compliant.

## SJ/T 11364-2006

The following contains information that relates to China.

部件名称	有毒有害物质或元素					
	铅	汞	镉	六价铬	多溴联苯	多溴二苯醚
电器部件	●	○	○	○	○	○
机构部件	○	○	○	○	○	○

- : 表示该有毒有害物质在该部件所有均质材料中的含量均在SJ/T 11363-2006规定的限量要求之下。
- : 表示符合欧盟的豁免条款, 但该有毒有害物质至少在该部件的某一均质材料中的含量超出SJ/T 11363-2006的限量要求。
- ×: 表示该有毒有害物质至少在该部件的某一均质材料中的含量超出SJ/T 11363-2006的限量要求。



## User Information

---

### Online Registration

Be sure to register your product at our online support center:

International	<a href="http://eservice.aten.com">http://eservice.aten.com</a>
---------------	---

### Telephone Support

For telephone support, call this number:

International	886-2-8692-6959
China	86-10-5255-0110
Japan	81-3-5615-5811
Korea	82-2-467-6789
North America	1-888-999-ATEN ext 4988
United Kingdom	44-8-4481-58923

### User Notice

All information, documentation, and specifications contained in this manual are subject to change without prior notification by the manufacturer. The manufacturer makes no representations or warranties, either expressed or implied, with respect to the contents hereof and specifically disclaims any warranties as to merchantability or fitness for any particular purpose. Any of the manufacturer's software described in this manual is sold or licensed *as is*. Should the programs prove defective following their purchase, the buyer (and not the manufacturer, its distributor, or its dealer), assumes the entire cost of all necessary servicing, repair and any incidental or consequential damages resulting from any defect in the software.

The manufacturer of this system is not responsible for any radio and/or TV interference caused by unauthorized modifications to this device. It is the responsibility of the user to correct such interference.

The manufacturer is not responsible for any damage incurred in the operation of this system if the correct operational voltage setting was not selected prior to operation. PLEASE VERIFY THAT THE VOLTAGE SETTING IS CORRECT BEFORE USE.

## Package Contents

---

The VS172 / VS174 2/4-Port DVI Dual Link Splitter with Audio package consists of:

- ◆ 1 VS172 / VS174 2/4-Port DVI Dual Link Splitter with Audio
- ◆ 1 Power Adapter
- ◆ 1 User Instructions\*

Check to make sure that all the components are present and that nothing got damaged in shipping. If you encounter a problem, contact your dealer.

Read this manual thoroughly and follow the installation and operation procedures carefully to prevent any damage to the unit, and/or any of the devices connected to it.

---

\* Features may have been added to the VS172 / VS174 since this manual was printed. Please visit our website to download the most up-to-date version.

---

© Copyright 2012–2015 ATEN® International Co., Ltd.  
Manual Date: 2015-02-06

ATEN and the ATEN logo are registered trademarks of ATEN International Co., Ltd. All rights reserved.  
All other brand names and trademarks are the registered property of their respective owners.

# Contents

---

FCC Information . . . . .	ii
SJ/T 11364-2006. . . . .	ii
User Information . . . . .	iii
Online Registration . . . . .	iii
Telephone Support . . . . .	iii
User Notice . . . . .	iii
Package Contents. . . . .	iv
Contents . . . . .	v
About this Manual . . . . .	vi
Conventions . . . . .	vii
Product Information. . . . .	vii
<b>1. Introduction</b>	
Overview . . . . .	1
Features . . . . .	2
Requirements . . . . .	3
Consoles . . . . .	3
Computers. . . . .	3
Cables . . . . .	3
Components . . . . .	4
Front View . . . . .	4
Rear View . . . . .	5
<b>2. Hardware Setup</b>	
Grounding . . . . .	7
Single Stage Installation . . . . .	8
Cascading . . . . .	9
<b>3. Operation</b>	
Overview . . . . .	11
RS-232 Serial Interface. . . . .	11
Configuring the Serial Port . . . . .	11
Reset Commands . . . . .	18
Verification. . . . .	18
<b>Appendix</b>	
Safety Instructions. . . . .	19
General . . . . .	19
Technical Support . . . . .	21
International. . . . .	21
North America . . . . .	21
Specifications . . . . .	22
Limited Warranty. . . . .	22

## About this Manual

---

This User Manual is provided to help you get the most from your VS172 / VS174 system. It covers all aspects of installation, configuration and operation. An overview of the information found in the manual is provided below.

**Introduction**, introduces you to the VS172 / VS174 system. Its purpose, features and benefits are presented, and its front and back panel components are described.

**Hardware Setup**, describes how to set up your VS172 / VS174 installation. The necessary steps are provided.


**Operation**, explains the fundamental concepts involved in operating the VS172 / VS174 through the RS-232 serial interface.

**An Appendix**, provides specifications and other technical information regarding the VS172 / VS174.

## Conventions

---

This manual uses the following conventions:

- |   |  |
|---|--|
| Monospaced  | Indicates text that you should key in.   |
| [ ]   | Indicates keys you should press. For example, [Enter] means to press the <b>Enter</b> key. If keys need to be chorded, they appear together in the same bracket with a plus sign between them: [Ctrl+Alt]. |
| 1.  | Numbered lists represent procedures with sequential steps.   |
| ◆   | Bullet lists provide information, but do not involve sequential steps.   |
| →   | Indicates selecting the option (on a menu or dialog box, for example), that comes next. For example, Start → Run means to open the <i>Start</i> menu, and then select <i>Run</i> .                         |
|  | Indicates critical information.  |

## Product Information

---

For information about all ATEN products and how they can help you connect without limits, visit ATEN on the Web or contact an ATEN Authorized Reseller. Visit ATEN on the Web for a list of locations and telephone numbers:

International	<a href="http://www.aten.com">http://www.aten.com</a>
North America	<a href="http://www.aten-usa.com">http://www.aten-usa.com</a>

This Page Intentionally Left Blank





# Chapter 1

## Introduction

### Overview

---

Various industry sectors have come to rely on audio-visual displays to broadcast real-time information, advertise products or conduct trainings. To further extend the reach of these video systems, there is a need for splitters that can multiply the number of screens without affecting video quality.

The 2/4-Port DVI Dual Link Splitter with Audio charts a new direction in multimedia functionality by combining DVI quality video and audio. They take the signals from an audio/video source and replicate them to two (VS172) / four (VS174) audio/video outputs.

This 2-port / 4-port video splitter uses dual link technology, which offers high bandwidth capacity for added transmission power and faster refresh rates, thereby providing better video quality of viewing resolutions up to 2560 x 1600.

The built-in bi-directional RS-232 port on the rear panel allows the splitter to be controlled through a Control Unit, PC, and/or home automation/home theater software package for complete system integration. In addition, you can switch ports, enable/disable EDID mode, mute the audio or upgrade the firmware version locally from one console.

The VS172 / VS174 is easy to operate and can be cascaded to three levels and handle up to 8 (VS172) / 64 monitors (VS174), which makes them the ideal solution for situations such as:

- a) Broadcasting video information to the public (news headlines, stock prices, airline and train schedules, etc.)
- b) Company training facilities
- c) Classroom instruction

The VS172 / VS174 provides the best audio-visual solution for a range of scenarios, from informal situations to corporate presentations.

## Features

---

- ◆ Displays DVI audio/video to multiple DVI-compatible monitors or projectors
- ◆ Superior video quality – up to 2560 x 1600 @ 60Hz, and 1080P
- ◆ Cascadable to 3 levels – provides up to 8/64 video signals
- ◆ Audio enabled
- ◆ Features RS-232 serial port for command controls
- ◆ RS-232 Chain Control – use RS-232 commands to control cascaded devices via a DVI cable
- ◆ EDID Expert – selects the optimum EDID settings via RS-232

---

**Note:** 1. The VS172 / VS174 AP and GUI operation instructions can be downloaded from the ATEN website ([www.aten.com](http://www.aten.com)).

2. HDCP is not supported.

---

## Requirements

---

The following equipment is required for a complete VS172 / VS174 installation:

### Consoles

- ◆ A DVI display that matches the computer's DVI display card that is capable of the highest resolution that you will be using on the DVI output.
- ◆ Speakers for audio output (optional)

### Computers

The following equipment must be installed on any computer that acts as a source of DVI content:

- ◆ A DVI-I or DVI-D display port

---

**Note:** The quality of the display is affected by the quality of the DVI display card. For best results, we recommend you purchase a high quality product.

---

- ◆ An audio out port (optional – for audio accompaniment to the display)

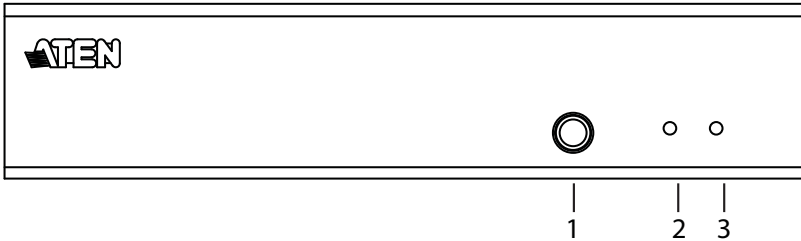
### Cables

Two (VS172) or four (VS174) sets of DVI cable are required to properly operate this DVI Switch (not included).

- 
- Note:**
1. Cables are not included in this package. Since the quality of the display is affected by the quality and the length of the cables, we strongly recommend that you purchase high quality cables. Contact your dealer to purchase the correct cable sets for your switch.
  2. There are three types of DVI signals. The cable type must match the type of signal being used by the DVI source and the DVI display.
-

## Components

### Front View

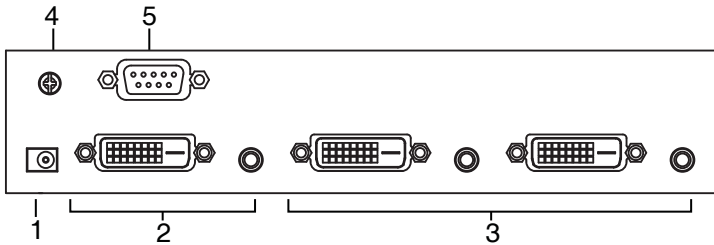


No.	Component	Description
1	Power/Standby button	Use this button to turn on the unit or wake it from standby mode.
2	Power LED	Lights green to indicate that the VS172 / VS174 is receiving power and is up and running. Lights orange to indicate that the VS172 / VS174 is in standby mode.
3	Activity LED	Lights to indicate that there is a working DVI connection to the computer

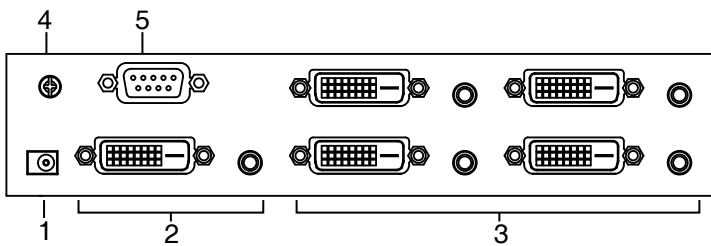
**Note:** The VS174's front panel is shown on this page. It is similar to the front panel of VS172.

## Rear View

VS172



VS174



No.	Component	Description
1	Power Jack	The power adapter cable plugs in here.
2	A/V Input Section	The cables from your source device's DVI video and speaker ports plug in here.
3	A/V Output Section	The cables from your DVI monitors and speakers plug in here.
4	Grounding	The grounding wire (used to ground the unit) attaches here. <b>Note:</b> The grounding wire is not included in this package. Contact your dealer for more information.
5	RS-232 Serial Port	This is the serial remote port for output source selection and high-end system control, including firmware upgrade.

This Page Intentionally Left Blank

# Chapter 2

## Hardware Setup



1. Important safety information regarding the placement of this device is provided on page 19. Please review it before proceeding.
2. Make sure that the power to all devices connected to the installation are turned off.
3. Make sure that all devices you will be installing are properly grounded.

### Grounding

---

To prevent damage to your installation it is important that all devices are properly grounded.

1. Use a grounding wire to ground the VS172 / VS174 by connecting one end of the wire to the grounding terminal, and the other end of the wire to a suitable grounded object.
2. Make sure that the computer(s)/device(s) that the VS172 / VS174 connects to are properly grounded.

---

**Note:** The grounding wire is not included in the package. Please contact your dealer for the appropriate cable.

---



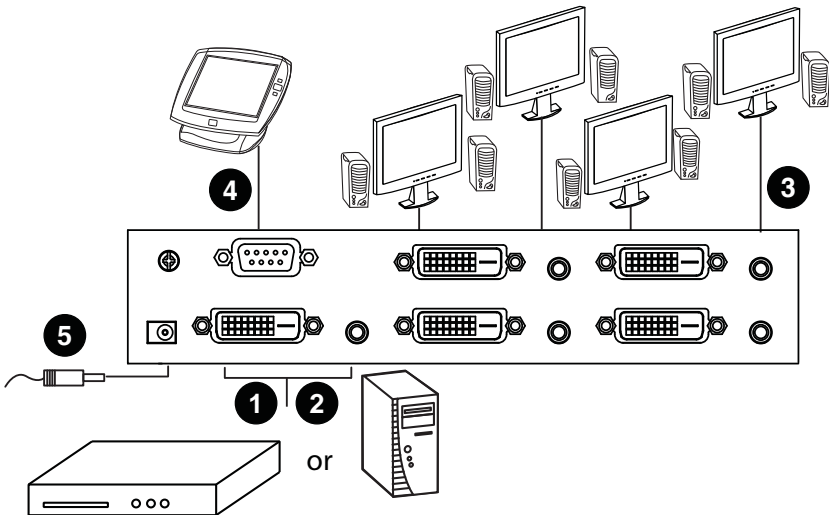
---

## Single Stage Installation

---

Refer to the installation diagram (the numbers in the diagram correspond to the numbers of the steps) and do the following:

1. Use a male-to-male DVI cable to connect your source device's DVI port to the VS172 / VS174's Video In port.
2. Use a male-to-male audio cable to connect your source device's speaker port to the VS172 / VS174's Audio In port.
3. Plug your DVI monitors and speakers into the A/V Out ports.
4. (Optional) To edit the VS172 / VS174 system settings through the RS-232 port, connect the hardware / software controller here.
5. Plug the power adapter that came with your switch into an AC power source, then plug the power adapter cable into the switch's Power Jack



---

**Note:** The 4-port VS174 panel images are used for illustrations throughout this manual.

---

## Cascading

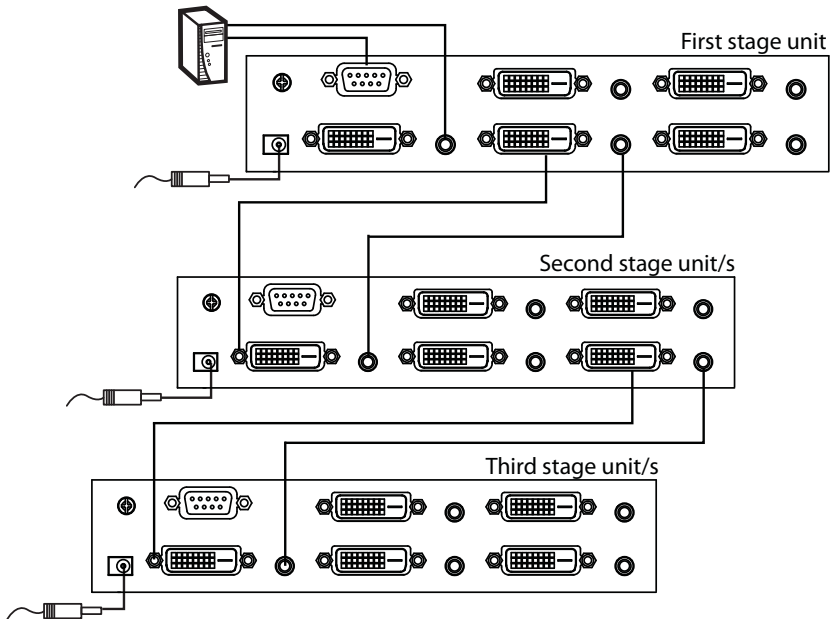
To provide even more audio/video display, additional units can be cascaded from the VS172 / VS174's A/V Out ports. Simply use additional male to male DVI and audio cables to connect an A/V Out port on the parent splitter to the A/V In port of the child splitter.

Recommended distances between devices in all cascade levels/stages for transmitting a high resolution signal are as follows:

Source to VS172 / VS174: 1.8 m

VS172 / VS174 to VS172 / VS174: 5 m

VS172 / VS174 to display: 5 m



This Page Intentionally Left Blank

# Chapter 3

## Operation

### Overview

---

The 2/4-Port DVI Dual Link Splitter with Audio offers easy and flexible source device selection through the RS-232 serial interface.

### RS-232 Serial Interface

---

The VS172 / VS174's built-in bi-directional RS-232 serial interface allows system control through a high-end controller, such as a PC or home automation/home theater software.

### Configuring the Serial Port

The controller's serial port should be configured as follows:

Baud Rate	19200
Data Bits	8
Parity	None
Stop Bits	1
Flow Control	None

## Switch Port Commands

The formula for Switch Port commands are as follows:

Switch Command + Output + Port + Control [Enter]

For example, to switch output port to port 02, type the following:

sw o02 on [Enter]

The following tables show the possible values and formats for the **Output** command, **Port** number and **Control**:

Command	Description
sw	Switch command

Output	Description
o	Output command

Port	Description
yy	01-04 port (default is 01)
*	All output ports

Control	Description
on	Turn on the VS172 / VS174
off	Turn off the VS172 / VS174

---

**Note:** Each command string can be separated with a space. The Port command string can be skipped and the default value will be used.

---

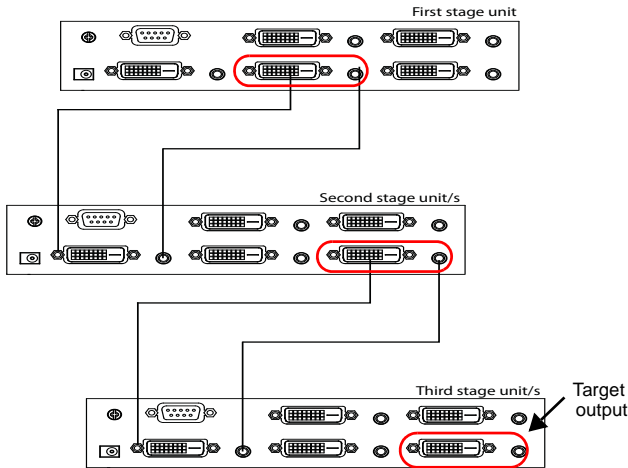
The following table shows the available command list:

Command	Output	Port	Control	Enter	Description
sw	o	yy	on	[Enter]	Turn on (Display out) for output port
sw	o	yy	off	[Enter]	Turn off (No output) for output port
sw	o	*	on	[Enter]	Turn on (Display out) for all ports
sw	o	*	off	[Enter]	Turn off (No output) for all ports

## Command for Cascaded Splitters

Serial port commands for cascaded splitters require identifying the chain of ports to which the target device is connected. The formula for Switch Port commands are as follows:

Switch Command + Output + Port + Port at first stage + Port at second stage + Control [Enter]



For the example above, the command for switching to the target output Port 1 of the splitter connected to Port 1 at the second stage of the cascade, which, in turn, is connected to output Port 2 at the first stage unit, is as follows:

sw o01-02-01 on [Enter]

This cascade command format is applied to *Mute Commands*, page 15, *Read Commands*, page 17, and *Reset Commands*, page 18. However, this is not applicable to EDID commands, which apply only to the first stage unit splitter, as well as the Firmware commands.

## EDID Commands

Extended Display Identification Data (EDID) is a data format that contains a display's basic information and is used to communicate with the video source/system. You can set up which EDID mode the VS172 / VS174 uses with the following command:

EDID Command + Control [Enter]

The EDID commands work only for the first stage unit when cascading VS172 / VS174 units.

The following tables show the possible values and formats for the **Control** command:

Command	Description
edid	Enable EDID selection

Control	Description
port1	Implement the EDID of the connected display to Port 1, and pass it to the video source (default)
auto	Implement the EDID of all connected displays. The VS172 / VS174 uses the best resolution for all displays
default	Implement ATEN's default EDID

The following table shows the available command list:

Command	Control	Enter	Description
edid	port1	[Enter]	The EDID from Port 1 is passed to the video source
edid	auto	[Enter]	The VS172 / VS174 implements the EDID of all connected displays and uses the best resolution for all displays (default)
edid	default	[Enter]	ATEN's default EDID is passed to the video source

## Mute Commands

Enable or disable audio coming from the output port(s) using the following command:

Mute Command + Output + Port + Control [Enter]

The following tables show the possible values and formats for the **Output**, **Port** and **Control** commands:

Command	Description
mute	Enable / Disable audio of output port(s)

Output	Description
o	Output command

Port	Description
yy	Identify the output port to which the mute command applies.
*	All output ports

Control	Description
on	Mute on; audio from output port is disabled
off	Mute off; audio output enabled (default)

---

**Note:** Each command string can be separated with a space.

---

The following table shows the available command list:

Command	Output	Port	Control	Enter	Description
mute	o	yy	on	[Enter]	No audio from port
mute	o	*	on	[Enter]	No audio from all ports
mute	o	yy	off	[Enter]	Audio enabled for port
mute	o	*	off	[Enter]	Audio enabled for all ports



## Firmware Commands

Upgrade the firmware by using this command:

Upgrade Command + Control [Enter]

The firmware upgrade command works only for the unit connected to the local PC or hardware / software controller. In order to upgrade the firmware of other VS172 / VS174 units in the cascade, manually connect them, one by one, to the local PC.

The following tables show the possible values and formats for the **Control** command:

Command	Description
upgrade	Starts the firmware upgrade process

The following table shows the available command list:

Command	Enter	Description
upgrade	[Enter]	Firmware upgrade process starts

## Read Commands

View information from the device using the following command:

Read Command + Port + Control [Enter]

The following tables show the possible values and formats for the **Port** and **Control** commands:

Command	Description
read	Reads and displays information from the VS172 / VS174
o	Output port

Port	Description
yy	Displays the status of the port
*	Displays status of all ports

Control	Description
version	Displays the firmware version of the VS172 / VS174
edid	Displays the EDID mode setting of device 01
video	Displays the video status (on/off)
audio	Displays the audio status (on/off)

**Note:** Each command string can be separated with a space.

The following table shows the available command list:

Command	Output	Port	Control	Enter	Description
read	o	yy	version	[Enter]	Displays firmware version
read	o	*	version	[Enter]	Displays firmware version of all ports
read	o	yy	edid	[Enter]	Displays EDID mode
read	o	*	edid	[Enter]	Displays EDID mode of all ports
read	o	yy	video	[Enter]	Displays video status
read	o	*	video	[Enter]	Displays video status of all ports
read	o	yy	audio	[Enter]	Displays audio status
read	o	*	audio	[Enter]	Displays audio status of all ports

## Reset Commands

Reset the VS172 / VS174 to default factory settings using the following command:

Reset Command + Output + Port [Enter]

The following tables show the possible values and formats for the **Output** and **Port** commands:

Command	Description
reset	Resets to factory default settings

Output	Description
o	Output port

Port	Description
yy	Identify the output port to which the reset command applies
*	All output ports

---

**Note:** Each command string can be separated with a space.

---

The following table shows the available command list:

Command	Output	Port	Enter	Description
reset	o	yy	[Enter]	Resets the port
reset	o	*	[Enter]	Resets all ports

## Verification

After entering a command, a verification message appears at the end of the command line as follows:

- ♦ **command ok** - indicates that the command is correct and successfully performed by the VS172 / VS174.
- ♦ **command incorrect** - indicates that the command has the wrong format and/or values.

## Safety Instructions

---

### General

- ◆ Read all of these instructions. Save them for future reference.
- ◆ Follow all warnings and instructions marked on the device.
- ◆ Do not place the device on any unstable surface (cart, stand, table, etc.). If the device falls, serious damage will result.
- ◆ Do not use the device near water.
- ◆ Do not place the device near, or over, radiators or heat registers.
- ◆ The device cabinet is provided with slots and openings to allow for adequate ventilation. To ensure reliable operation, and to protect against overheating, these openings must never be blocked or covered.
- ◆ The device should never be placed on a soft surface (bed, sofa, rug, etc.) as this will block its ventilation openings. Likewise, the device should not be placed in a built in enclosure unless adequate ventilation has been provided.
- ◆ Never spill liquid of any kind on the device.
- ◆ Unplug the device from the wall outlet before cleaning. Do not use liquid or aerosol cleaners. Use a damp cloth for cleaning.
- ◆ The device should be operated from the type of power source indicated on the marking label. If you are not sure of the type of power available, consult your dealer or local power company.
- ◆ The device is designed for IT power distribution systems with 230V phase-to-phase voltage.
- ◆ To prevent damage to your installation it is important that all devices are properly grounded.
- ◆ The device is equipped with a DC adapter. This is a safety feature.
- ◆ To help protect your system from sudden, transient increases and decreases in electrical power, use a surge suppressor, line conditioner, or un-interruptible power supply (UPS).
- ◆ Position system cables and power cables carefully; Be sure that nothing rests on any cables.

- ◆ Never push objects of any kind into or through cabinet slots. They may touch dangerous voltage points or short out parts resulting in a risk of fire or electrical shock.
- ◆ Do not attempt to service the device yourself. Refer all servicing to qualified service personnel.
- ◆ If the following conditions occur, unplug the device from the wall outlet and bring it to qualified service personnel for repair.
  - ◆ Liquid has been spilled into the device.
  - ◆ The device has been exposed to rain or water.
  - ◆ The device has been dropped, or the cabinet has been damaged.
  - ◆ The device exhibits a distinct change in performance, indicating a need for service.
  - ◆ The device does not operate normally when the operating instructions are followed.
- ◆ Only adjust those controls that are covered in the operating instructions. Improper adjustment of other controls may result in damage that will require extensive work by a qualified technician to repair.

## Technical Support

---

### International

- ◆ For online technical support – including troubleshooting, documentation, and software updates: <http://eservice.aten.com>
- ◆ For telephone support, see *Telephone Support*, page iii:

### North America

Email Support		<a href="mailto:support@aten-usa.com">support@aten-usa.com</a>
Online Technical Support	Troubleshooting Documentation Software Updates	<a href="http://www.aten-usa.com/support">http://www.aten-usa.com/support</a>
Telephone Support		1-888-999-ATEN ext 4988

When you contact us, please have the following information ready beforehand:

- ◆ Product model number, serial number, and date of purchase.
- ◆ Your computer configuration, including operating system, revision level, expansion cards, and software.
- ◆ Any error messages displayed at the time the error occurred.
- ◆ The sequence of operations that led up to the error.
- ◆ Any other information you feel may be of help.

## Specifications

Function		VS172	VS174
Computer Connections		2	4
Connectors	Video In	1 x DVI-D female (White)	
	Audio In	1 x Mini stereo jack (Green)	
	RS-232	1 x DB-9 Female (Black)	
	Video Out	2 x DVI-D F (White)	4 x DVI-D F (White)
	Audio Out	2 x Mini stereo jacks (Green)	4 x Mini stereo jacks (Green)
	Power	1 x DC jack	
LEDs	Link	1 (Green)	
	Power	1 (Green + Orange)	
Resolution		2560 x 1600 @ 60Hz, and 1080P	
Power Consumption		DC5.3V, 3.1W (Max)	DC5.3V, 5.6W (Max)
Signal Range		5 m (15 ft)	
Environment	Operating Temp.	0–50°C	
	Storage Temp.	-20–60°C	
	Humidity	0–80% RH, Non-condensing	
Physical Properties	Housing	Metal	
	Weight	0.68 kg	0.73 kg
	Dimensions (L x W x H)	21.00 x 8.80 x 5.55 cm	

## Limited Warranty

IN NO EVENT SHALL THE DIRECT VENDOR'S LIABILITY EXCEED THE PRICE PAID FOR THE PRODUCT FROM DIRECT, INDIRECT, SPECIAL, INCIDENTAL, OR CONSEQUENTIAL DAMAGES RESULTING FROM THE USE OF THE PRODUCT, DISK, OR ITS DOCUMENTATION.

The direct vendor makes no warranty or representation, expressed, implied, or statutory with respect to the contents or use of this documentation, and especially disclaims its quality, performance, merchantability, or fitness for any particular purpose.

The direct vendor also reserves the right to revise or update the device or documentation without obligation to notify any individual or entity of such revisions, or update. For further inquiries, please contact your direct vendor.