



CS1922M/CS1924M

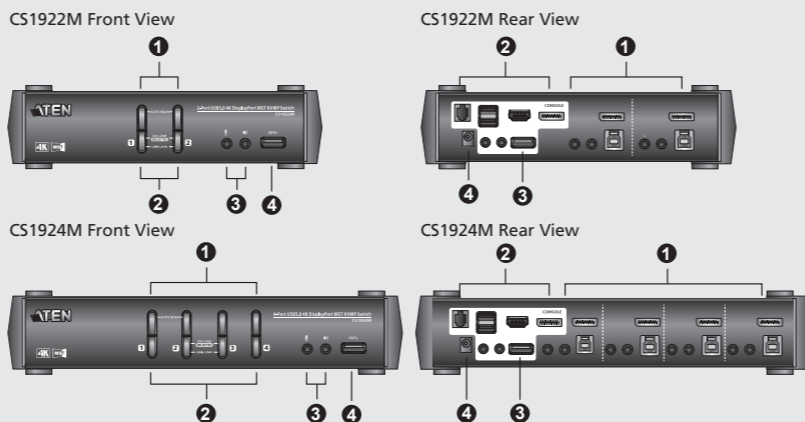
2/4-Port USB 3.0 4K DisplayPort MST
KVMP Switch
Quick Start Guide

© Copyright 2017 ATEN® International Co., Ltd.
ATEN and the ATEN logo are trademarks of ATEN International Co., Ltd. All rights reserved. All other trademarks are the property of their respective owners.

This product is RoHS compliant.
Part No. PAPE-1223-190G Printing Date: 07/2017



A Overview



Package Contents

- | | |
|-------------------------------------|-------------------------------------|
| CS1922M | CS1924M |
| 1 2-Port USB 3.0 4K DisplayPort MST | 1 4-Port USB 3.0 4K DisplayPort MST |
| KVMP™ Switch | KVMP™ Switch |
| 2 DisplayPort Cables | 4 DisplayPort Cables |
| 2 USB 3.0 Cables | 4 USB 3.0 Cables |
| 4 Audio Cables | 8 Audio Cables |
| 1 Power Adapter | 1 Power Adapter |
| 1 User Instructions | 1 User Instructions |

Support and Documentation Notice

All information, documentation, firmware, software utilities, and specifications contained in this package are subject to change without prior notification by the manufacturer. To reduce the environmental impact of our products, ATEN documentation and software can be found online at <http://www.aten.com/download/>

Technical Support

www.aten.com/support



Scan for more information

EMC Information

FEDERAL COMMUNICATIONS COMMISSION INTERFERENCE STATEMENT: This equipment has been tested and found to comply with the limits for a Class B digital device, pursuant to Part 15 of the FCC rules. These limits are designed to provide reasonable protection against harmful interference in a residential installation. Any changes or modifications made to this equipment may void the user's authority to operate this equipment. This equipment generates, uses, and can radiate radio frequency energy. If not installed and used in accordance with the instructions, may cause harmful interference to radio communications. However, there is no guarantee that interference will not occur in a particular installation. If this equipment does cause harmful interference to radio or television reception, which can be determined by turning the equipment off and on, the user is encouraged to try to correct the interference by one or more of the following measures:

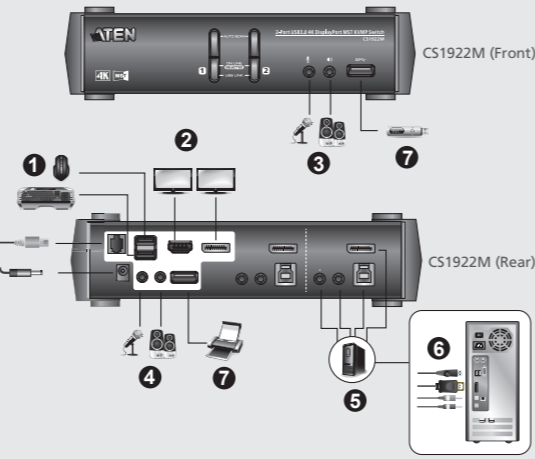
- Reorient or relocate the receiving antenna.
- Increase the separation between the equipment and receiver.
- Connect the equipment into an outlet on a circuit different from that to which the receiver is connected.
- Consult the dealer/experienced radio/television technician for help.

FCC Caution: Any changes or modifications not expressly approved by the party responsible for compliance could void the user's authority to operate this equipment.

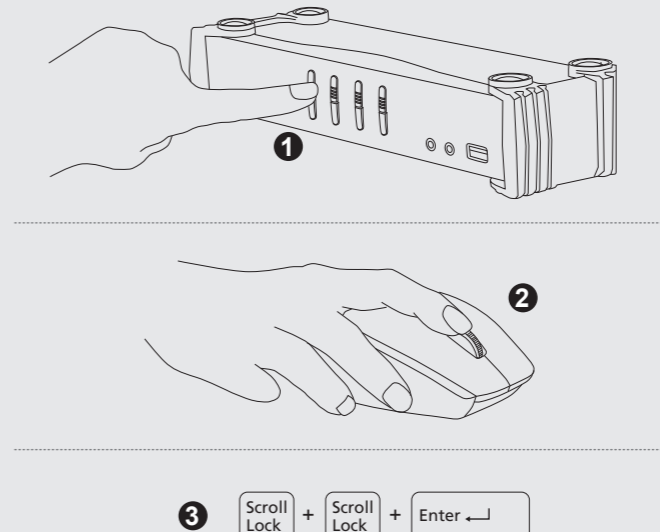
This device complies with Part 15 of the FCC Rules. Operation is subject to the following two conditions: (1) this device may not cause harmful interference, and (2) this device must accept any interference received, including interference that may cause undesired operation.

이 기기는 가정용 (B급) 전자파적합 기기로서 주로 가정에서 사용하는 것을 목적으로 하며, 모든 지역에서 사용할 수 있습니다.

B Installation



C Operation



CS1922M/CS1924M 2/4-Port USB 3.0 4K DisplayPort MST KVMP Switch

A Hardware Review

Front View

- 1 Port Selection Pushbuttons
- 2 Port LEDs
- 3 Audio Ports
- 4 USB 3.0 Hub

Rear View

- 1 KVM Ports
- 2 Console Ports
- 3 USB 3.0 Hub
- 4 Power Jack

B Hardware Installation

- To set up the switch, refer to the diagram above and do the following:
- 1 Plug the USB keyboard and mouse into the console ports on the rear panel.
 - 2 Plug the monitor into the DisplayPort or the HDMI console port and power on the monitor.
 - 3 Plug the main microphone and speakers into the microphone and speaker jacks on the front panel.
 - 4 (Optional) Plug the secondary microphone and speakers into the console audio ports on the rear panel. The front panel ports have priority over those on the rear panel.
 - 5 Using the cables provided with this package, plug the DisplayPort, USB 3.0, microphone, and speaker connectors into their corresponding sockets in the KVM

Commuteur KVMP CS1922M / CS1924M 2/4 Ports USB 3.0 4K DisplayPort MST

A Aperçu du matériel

Vue de devant

- 1 Boutons poussoirs de sélection de port
- 2 LED de port
- 3 Ports audio
- 4 Concentrateur USB 3.0

Vue de derrière

- 1 Ports KVM
- 2 Ports console
- 3 Concentrateur USB 3.0
- 4 Fiche d'alimentation

B Installation du matériel

- Pour installer le commutateur, reportez-vous au schéma ci-dessus et effectuez les étapes suivantes :
- 1 Branchez le clavier et la souris USB sur les ports de la console au niveau du panneau arrière.
 - 2 Branchez le moniteur sur le port DisplayPort pi HDMI de la console et l'alimentation sur le moniteur.
 - 3 Branchez le microphone principal et haut-parleurs sur les prises microphone et haut-parleur au niveau du panneau avant.
 - 4 (Optionnel) Branchez le microphone et les haut-parleurs secondaires sur les ports audio de la console au niveau du panneau arrière. Les ports du panneau avant ont la priorité sur ceux du panneau arrière.

2/4-Port-USB-3.0-4K-DisplayPort-MST-KVMP-Switch CS1922M/CS1924M

A Hardwareübersicht

Ansicht von vorne

- 1 Anschlussauswahltasten
- 2 Anschluss-LEDs
- 3 Audioanschlüsse
- 4 USB-3.0-Hub

Ansicht von hinten

- 1 KVM-Ports
- 2 Konsolenports
- 3 USB-3.0-Hub
- 4 Netzanschluss

B Hardwareinstallation

- Beachten Sie zur Einrichtung des Switch die obige Abbildung und gehen Sie wie folgt vor:
- 1 Schließen Sie USB-Tastatur und -Maus an den Konsolenanschlüssen an der Rückblende an.
 - 2 Schließen Sie den Monitor am DisplayPort- oder HDMI-Konsolenanschluss an und schalten Sie ihn ein.
 - 3 Schließen Sie das Hauptmikrofon und Lautsprecher an den Mikrofon- und Lautsprecheranschlüssen an der Frontblende an.
 - 4 (Optional) Schließen Sie das sekundäre Mikrofon und Lautsprecher an den Konsolenaudioanschlüssen an der Rückblende an. Die Anschlüsse an der Frontblende haben Priorität vor denen an der Rückblende.

Commutador KVMP MST DisplayPort 4K USB 3.0 de 2/4 puertos CS1922M/CS1924M

A Revisión de hardware

Vista frontal

- 1 Pulsadores de selección de puerto
- 2 LED de puerto
- 3 Puertos de audio
- 4 Concentrador USB 3.0

Vista posterior

- 1 Puertos KVM
- 2 Puertos de consola
- 3 Concentrador USB 3.0
- 4 Conector de alimentación

B Instalación del hardware

- Para configurar el conmutador, consulte el diagrama anterior y haga lo siguiente:
- 1 Conecte el teclado y ratón USB en los puertos de la consola en el panel posterior.
 - 2 Conecte el monitor en el puerto de la consola DisplayPort o HDMI y encienda el monitor.
 - 3 Conecte el micrófono principal y los altavoces en las tomas de micrófono y altavoz en el panel frontal.
 - 4 (Opcional) Conecte el micrófono y los altavoces secundarios en los puertos de audio de la consola en el panel posterior. Los puertos del panel frontal tienen prioridad sobre los del panel posterior.
 - 5 Utilizando los cables suministrados con este paquete, enchufe los conectores DisplayPort, USB 3.0, de micrófono y de altavoz en sus correspondientes tomas en

Switch USB 3.0 2/4 porte 4K DisplayPort MST KVMP CS1922M/CS1924M

A Descrizione hardware

Vista anteriore

- 1 Pulsanti di selezione porta
- 2 LED porta
- 3 Porte audio
- 4 Hub USB 3.0

Vista posteriore

- 1 Porte KVM
- 2 Porte console
- 3 Hub USB 3.0
- 4 Connettore di alimentazione

B Installazione dell'hardware

- Per installare lo switch, fare riferimento alla figura di cui sopra ed attenersi a quanto segue:
- 1 Collegare la tastiera ed il mouse USB alle porte console sul pannello posteriore.
 - 2 Collegare il monitor alla porta console DisplayPort o HDMI ed accendere il monitor.
 - 3 Collegare il microfono e gli altoparlanti principali ai connettori microfono e altoparlanti del pannello frontale.
 - 4 (Optional) Collegare microfono e gli altoparlanti secondari alle porte audio console del pannello posteriore. Le porte del pannello anteriore hanno priorità su quelle del pannello posteriore.
 - 5 Utilizzando i cavi forniti in dotazione, collegare i connettori DisplayPort, USB 3.0, microfono ed altoparlanti ai rispettivi connettori della sezione porte KVM dello switch.

- Port section of the switch.
- 1 At the other ends of the cables, plug the USB 3.0, DisplayPort, microphone, and speaker connectors into their respective ports on the computer.
 - 2 (Optional) Plug USB peripherals to the USB Type-A sockets located on the front panel and in the rear panel's console port section.
 - 3 (Optional) Plug an RJ-11-to-DB9 cable from the RJ-11 port to a computer's serial port for RS-232 control.*
 - 4 Plug the power adapter (provided with this package) into the switch's Power Jack and then plug the other end into an AC power source.
 - 5 Power on the computers.
 - * The RJ-11-to-DB9 cable is sold separately. Contact your ATEN dealer for product information.

C Operation

There are four convenient methods to switch between the computers: Manual – by pressing the port selection pushbuttons on the front panel, Mouse – by clicking the scroll wheel of the mouse, Hotkeys – by entering combinations on the keyboard, and RS232 Command.

1 Manual Switching

For manual port selection: Press a front panel port selection pushbutton once to bring the KVM, audio, and USB focus to the computer attached to the corresponding port.

2 Mouse Switching

For mouse port selection: Double-click the scroll wheel of your USB mouse to cycle through the ports.

3 Hotkey Switching

For manual port selection: Press a front panel port selection pushbutton once to bring the KVM, audio, and USB focus to the computer attached to the corresponding port. *See Hotkey Setting Mode section to enable mouse switching.

4 Going Directly to a Port

Moves the KVM, USB hub, and audio focus from the current port to the next port on the switch (1 to 2 and 2 to 1 for the CS1922M) (1 to 2, 2 to 3, 3 to 4, and 4 to 1 for the CS1924M). Note: The KVM, USB hub, and audio focus all go to these ports even if they were initially on different ports.

5 Manual Switching

For manual port selection: Press a front panel port selection pushbutton once to bring the KVM, audio, and USB focus to the computer attached to the corresponding port.

6 Mouse Switching

For mouse port selection: Double-click the scroll wheel of your USB mouse to cycle through the ports.

7 Hotkey Switching

For manual port selection: Press a front panel port selection pushbutton once to bring the KVM, audio, and USB focus to the computer attached to the corresponding port. *See Hotkey Setting Mode section to enable mouse switching.

8 Going Directly to a Port

Moves the KVM, USB hub, and audio focus from the current port to the next port on the switch (1 to 2 and 2 to 1 for the CS1922M) (1 to 2, 2 to 3, 3 to 4, and 4 to 1 for the CS1924M). Note: The KVM, USB hub, and audio focus all go to these ports even if they were initially on different ports.

9 Manual Switching

For manual port selection: Press a front panel port selection pushbutton once to bring the KVM, audio, and USB focus to the computer attached to the corresponding port.

10 Mouse Switching

For mouse port selection: Double-click the scroll wheel of your USB mouse to cycle through the ports.

11 Hotkey Switching

For manual port selection: Press a front panel port selection pushbutton once to bring the KVM, audio, and USB focus to the computer attached to the corresponding port. *See Hotkey Setting Mode section to enable mouse switching.

12 Going Directly to a Port

Moves the KVM, USB hub, and audio focus from the current port to the next port on the switch (1 to 2 and 2 to 1 for the CS1922M) (1 to 2, 2 to 3, 3 to 4, and 4 to 1 for the CS1924M). Note: The KVM, USB hub, and audio focus all go to these ports even if they were initially on different ports.

13 Manual Switching

For manual port selection: Press a front panel port selection pushbutton once to bring the KVM, audio, and USB focus to the computer attached to the corresponding port.

14 Mouse Switching

For mouse port selection: Double-click the scroll wheel of your USB mouse to cycle through the ports.

15 Hotkey Switching

For manual port selection: Press a front panel port selection pushbutton once to bring the KVM, audio, and USB focus to the computer attached to the corresponding port. *See Hotkey Setting Mode section to enable mouse switching.

16 Going Directly to a Port

Moves the KVM, USB hub, and audio focus from the current port to the next port on the switch (1 to 2 and 2 to 1 for the CS1922M) (1 to 2, 2 to 3, 3 to 4, and 4 to 1 for the CS1924M). Note: The KVM, USB hub, and audio focus all go to these ports even if they were initially on different ports.

17 Manual Switching

For manual port selection: Press a front panel port selection pushbutton once to bring the KVM, audio, and USB focus to the computer attached to the corresponding port.

18 Mouse Switching

For mouse port selection: Double-click the scroll wheel of your USB mouse to cycle through the ports.

19 Hotkey Switching

For manual port selection: Press a front panel port selection pushbutton once to bring the KVM, audio, and USB focus to the computer attached to the corresponding port. *See Hotkey Setting Mode section to enable mouse switching.

20 Going Directly to a Port

Moves the KVM, USB hub, and audio focus from the current port to the next port on the switch (1 to 2 and 2 to 1 for the CS1922M) (1 to 2, 2 to 3, 3 to 4, and 4 to 1 for the CS1924M). Note: The KVM, USB hub, and audio focus all go to these ports even if they were initially on different ports.

21 Manual Switching

For manual port selection: Press a front panel port selection pushbutton once to bring the KVM, audio, and USB focus to the computer attached to the corresponding port.

22 Mouse Switching

For mouse port selection: Double-click the scroll wheel of your USB mouse to cycle through the ports.

23 Hotkey Switching

For manual port selection: Press a front panel port selection pushbutton once to bring the KVM, audio, and USB focus to the computer attached to the corresponding port. *See Hotkey Setting Mode section to enable mouse switching.

24 Going Directly to a Port

Moves the KVM, USB hub, and audio focus from the current port to the next port on the switch (1 to 2 and 2 to 1 for the CS1922M) (1 to 2, 2 to 3, 3 to 4, and 4 to 1 for the CS1924M). Note: The KVM, USB hub, and audio focus all go to these ports even if they were initially on different ports.

25 Manual Switching

For manual port selection: Press a front panel port selection pushbutton once to bring the KVM, audio, and USB focus to the computer attached to the corresponding port.

26 Mouse Switching

For mouse port selection: Double-click the scroll wheel of your USB mouse to cycle through the ports.

27 Hotkey Switching

For manual port selection: Press a front panel port selection pushbutton once to bring the KVM, audio, and USB focus to the computer attached to the corresponding port. *See Hotkey Setting Mode section to enable mouse switching.

28 Going Directly to a Port

Moves the KVM, USB hub, and audio focus from the current port to the next port on the switch (1 to 2 and 2 to 1 for the CS1922M) (1 to 2, 2 to 3, 3 to 4, and 4 to 1 for the CS1924M). Note: The KVM, USB hub, and audio focus all go to these ports even if they were initially on different ports.

29 Manual Switching

For manual port selection: Press a front panel port selection pushbutton once to bring the KVM, audio, and USB focus to the computer attached to the corresponding port.

30 Mouse Switching

For mouse port selection: Double-click the scroll wheel of your USB mouse to cycle through the ports.

31 Hotkey Switching

For manual port selection: Press a front panel port selection pushbutton once to bring the KVM, audio, and USB focus to the computer attached to the corresponding port. *See Hotkey Setting Mode section to enable mouse switching.

32 Going Directly to a Port

Moves the KVM, USB hub, and audio focus from the current port to the next port on the switch (1 to 2 and 2 to 1 for the CS1922M) (1 to 2, 2 to 3, 3 to 4, and 4 to 1 for the CS1924M). Note: The KVM, USB hub, and audio focus all go to these ports even if they were initially on different ports.

33 Manual Switching

For manual port selection: Press a front panel port selection pushbutton once to bring the KVM, audio, and USB focus to the computer attached to the corresponding port.

34 Mouse Switching

For mouse port selection: Double-click the scroll wheel of your USB mouse to cycle through the ports.

Note:

1. Mouse switching is only supported by USB 3-key scroll wheel mice.
 2. Mouse switching is disabled by default.*
 3. Mouse switching is only supported when Mouse Emulation is enabled.
- *See Hotkey Setting Mode section to enable mouse switching.

1 Hotkey Switching

Hotkey	Action
[Scroll Lock] [Scroll Lock] [Enter]	Moves the KVM, USB hub, and audio focus from the current port to the next port on the switch (1 to 2 and 2 to 1 for the CS1922M) (1 to 2, 2 to 3, 3 to 4, and 4 to 1 for the CS1924M). Note: The KVM, USB hub, and audio focus all go to these ports even if they were initially on different ports.

Going Directly to a Port

Hotkey	Action
[Scroll Lock] [Scroll Lock] [n] [Enter]	Moves the KVM, USB hub, and audio focus to the computer attached to the port corresponding to the specified Port ID. The [n] stands for the computer's Port ID number (1, 2, 3, or 4). Note: The KVM, USB hub, and audio focus all go to these ports even if they were initially on different ports.

Hotkey Setting Mode(HSM)

Hotkey Setting Mode is used to set functions on the switch. Invoke HSM and then press a key in the table below to perform the corresponding function.

Remarque :

1. La commutation à la souris est uniquement prise en charge par les souris à 3 boutons et molette de défilement USB.
 2. La commutation à la souris est désactivée par défaut.*
 3. La commutation à la souris est uniquement prise en charge lorsque l'émulation de souris est activée.
- *Consultez la section Mode de réglage des touches raccourci pour activer la commutation à la souris.

3 Commutation par touche de raccourci

Raccourci	Action
[Arrêt Défilement] [Arrêt Défilement] [Entrée]	Déplace la cible KVM, concentrateur USB et audio depuis le port actuel jusqu'au port suivant sur le commutateur (de 1 à 2 et de 2 à 1 pour le CS1922M) (de 1 à 2, de 2 à 3, de 3 à 4, et de 4 à 1 pour le CS1924M). Remarque : Les cibles KVM, concentrateur USB et audio vont toutes vers ces ports, même si elles étaient initialement sur des ports différents.

Aller directement à un port

Raccourci	Action
[Arrêt Défilement] [Arrêt Défilement] [n] [Entrée]	Déplacez la cible KVM, concentrateur USB et audio vers l'ordinateur connecté au port correspondant à l'ID Port indiqué. Le [n] représente le numéro d'ID Port de l'ordinateur (1, 2, 3 ou 4). Remarque : Les cibles KVM, concentrateur USB et audio vont toutes vers ces ports, même si elles étaient initialement sur des ports différents.

Mode de réglage des touches de raccourcis (HSM)

Le Mode de réglage des touches de raccourcis (Hotkey Setting Mode) est utilisé pour

UmSchalten zwischen den Anschlüssen.

1. Der Mauswechsel wird nur von einer 3-Tasten-USB-Maus mit Scrollrad unterstützt.
 2. Der Mauswechsel ist standardmäßig deaktiviert.*
 3. Mauswechsel wird nur unterstützt, wenn Mousemulation aktiviert ist.
- *Beachten Sie den Abschnitt Tastenkombinationseinstellungsmodus zur Aktivierung des Mauswechsels.

3 Per Tastenkombination wechseln

Schnelltaste	Aktion
[Rollen-Taste] [Rollen-Taste] [Eingabe]	Verschiebt KVM, USB-Hub und Audio vom aktuellen zum nächsten Anschluss am Switch (1 zu 2 und 2 zu 1 beim CS1922M) (1 zu 2, 2 zu 3, 3 zu 4 und 4 zu 1 beim CS1924M). Hinweis: KVM, USB-Hub und Audio wechseln gemeinsam zu diesen Anschlüssen, selbst wenn sie anfänglich auf verschiedene Anschlüsse aufgeteilt waren.

Direkt zu einem Anschluss wechseln

Schnelltaste	Aktion
[Rollen-Taste] [Rollen-Taste] [n] [Eingabe]	Verschiebt KVM, USB-Hub und Audio von dem am entsprechenden Anschluss angeschlossenen Computer zu der angegebenen Anschlusskennung. Das [n] steht für die Anschlusskennung des Computers (1, 2, 3 oder 4). Hinweis: KVM, USB-Hub und Audio wechseln gemeinsam zu diesen Anschlüssen, selbst wenn sie anfänglich auf verschiedene Anschlüsse aufgeteilt waren.

Note:

1. La commutation de ratón solo es compatible con los ratones USB de 3 botones con rueda de desplazamiento.
 2. La commutation de ratón está desactivada por defecto.*
 3. La commutation de ratón solo se admite cuando la emulación de ratón está habilitada.
- *Consulte la sección Configuración de modo tecla de acceso directo para activar la commutation del ratón.

3 Commutation por Tecla de acceso directo

Tecla de acceso rápido	Acción
[Bloqueo de desplazamiento] [Bloqueo de desplazamiento] [Entrar]	Desplaza el foco del KVM, concentrador USB y audio desde el puerto actual al siguiente puerto en el conmutador (1 a 2 y 2 a 1 para el CS1922M) (1 a 2, 2 a 3, 3 a 4, y 4 a 1 para el CS1924M). Nota: El foco del KVM, concentrador USB y audio va a estos puertos en todos los casos, aunque estuvieran inicialmente en diferentes puertos.

Ir directamente a un puerto

Tecla de acceso rápido	Acción
[Bloqueo de desplazamiento] [Bloqueo de desplazamiento] [n] [Entrar]	Desplaza el foco del KVM, concentrador USB y audio al PC conectado al puerto correspondiente a la ID de puerto especificado. La [n] representa

