

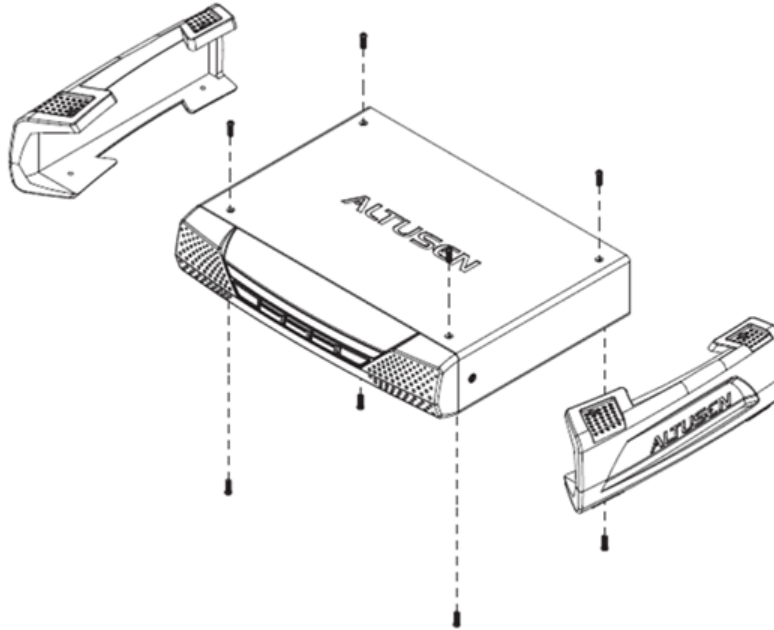
KE69 Single Rack Mount Kit - 2X-031G User Instructions

This single rack mounting kit installs one KE6900 unit in 1U of server rack space.

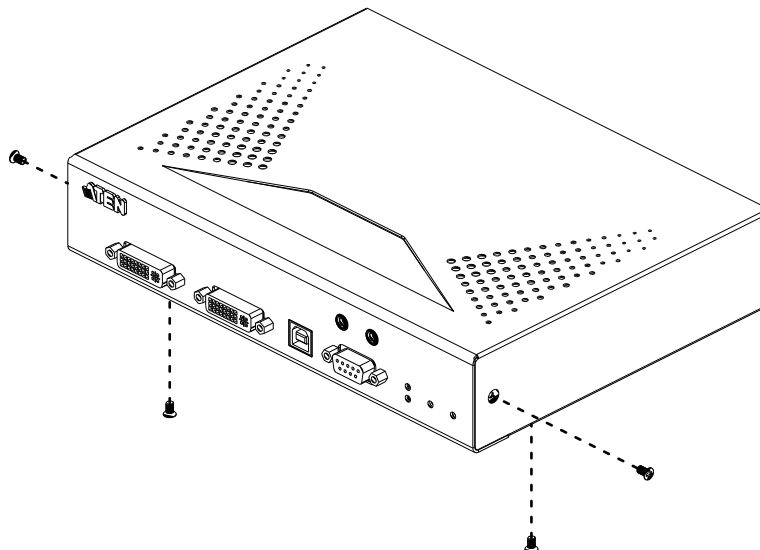
Package Contents:
1 x Right Mounting Bracket
1 x Left Mounting Bracket
4 x Flat Screws

Installation:

1. Remove the screws and plastic guards from the KE6900.

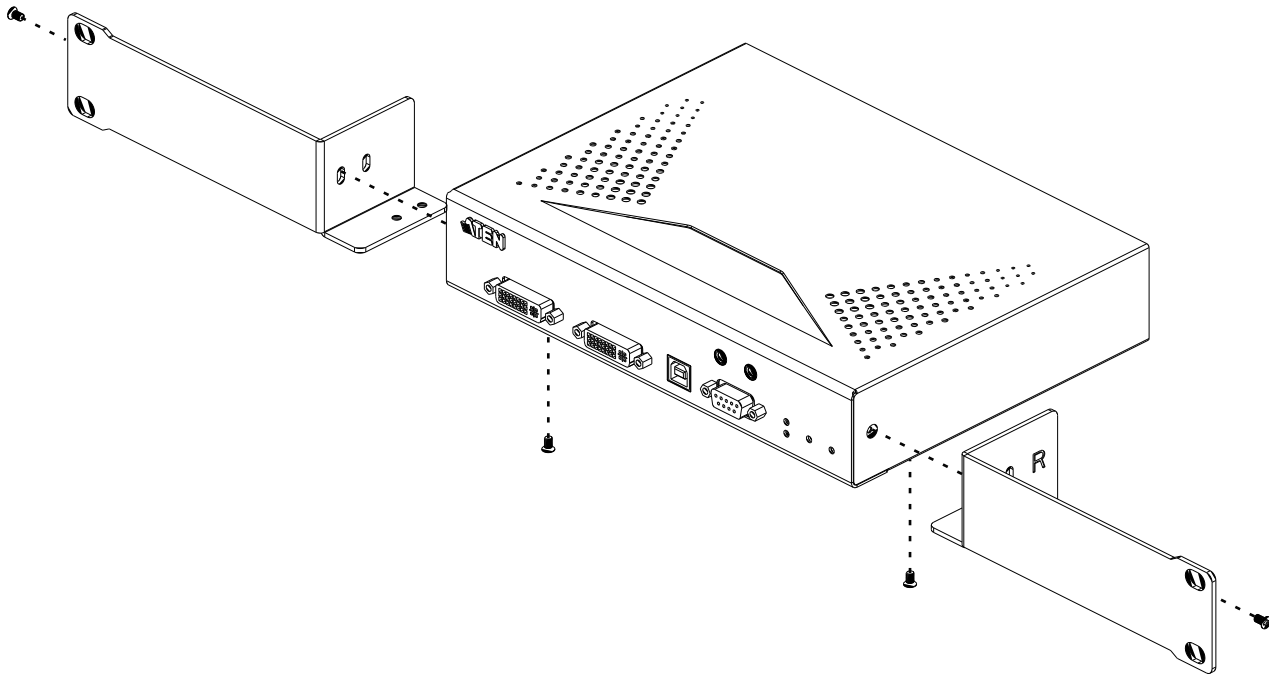


2. Remove the bottom and side screws from the KE6900.



KE69 Single Rack Mount Kit - 2X-031G User Instructions

3. Use the screws from step 2 to install the right and left mounting brackets.



4. Screw the mounting brackets to the rack.

